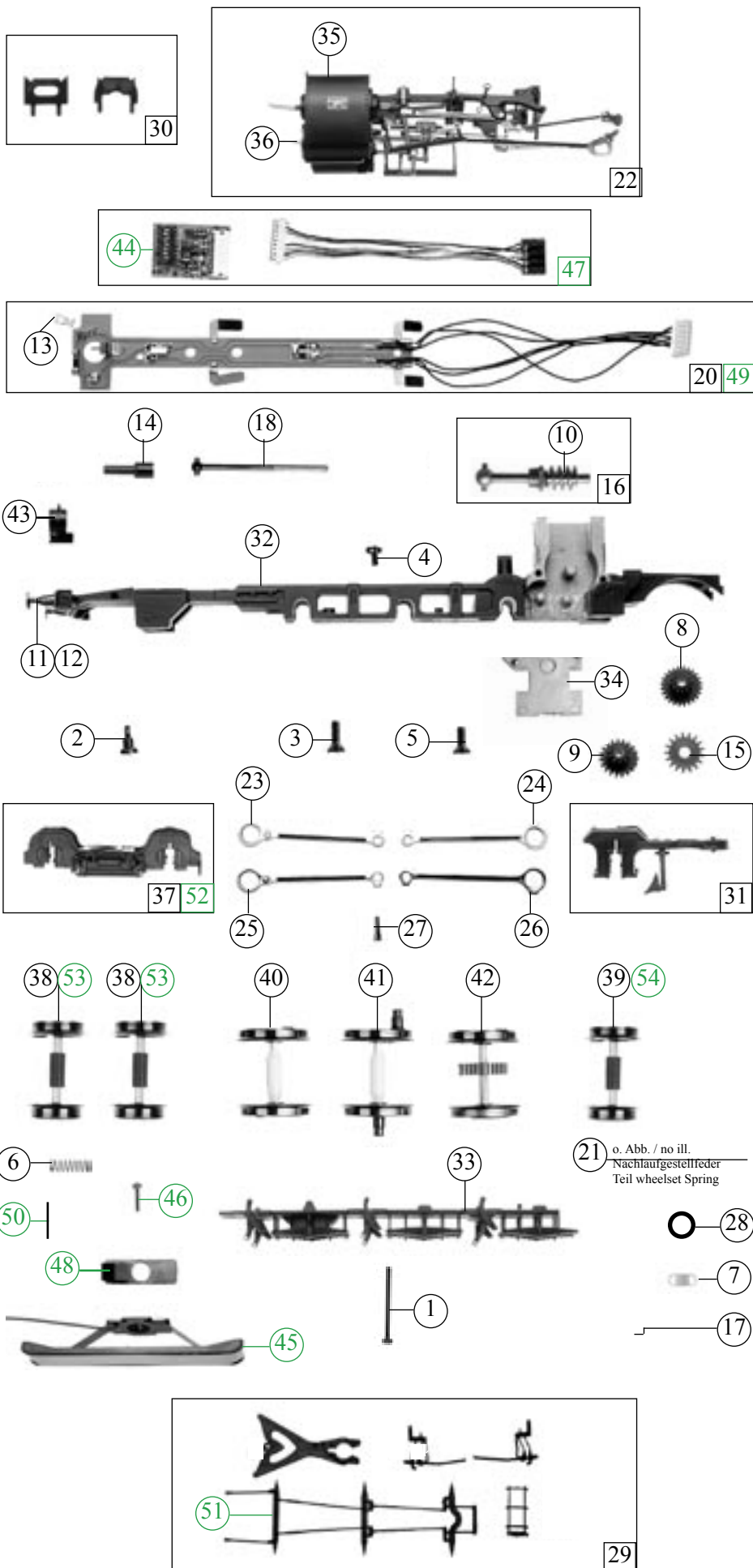
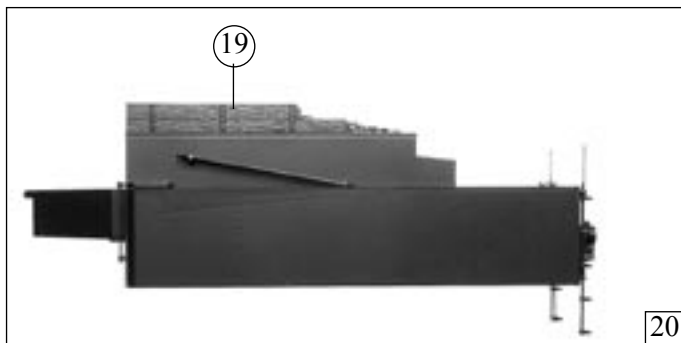


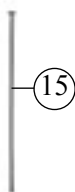
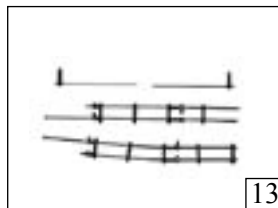
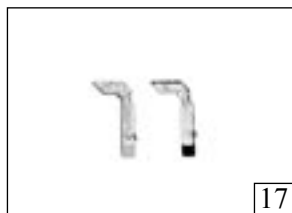
| Pos. Nr. | Text | Art.-Nr. | Preis-Einheit |
|----------|--|----------|---------------|
| 1 | Schraube M 2,2 x 6,5 Screw M 2,2 x 6,5 | 85800 | 2 |
| 2 | Teilesatz Parts set | 110637 | 20 |
| 3 | Teilesatz Parts set | 110651 | 15 |
| 4 | Teilesatz Parts set | 110673 | 12 |
| 5 | Kesselleitungssatz Boiler set | 110674 | 12 |
| 6 | Lokgewicht Loc weight | 110677 | 10 |
| 8 | Lokpfeife Loco whistle | 110680 | 3 |
| 9 | Domring Dome ring | 110819 | 3 |
| 10 | Teilesatz Parts set | 111219 | 7 |
| 11 | Griffstange Fh Handrail | 111221 | 2 |
| 12 | Schaltstange Switch rod | 111222 | 12 |
| 13 | Teilesatz Parts set | 111223 | 7 |
| 14 | Teilesatz Parts set | 111234 | 13 |
| 15 | Teilesatz Parts set | 111235 | 10 |
| 16 | Kessel komplett Betr.-Nr. 18 402 Boiler assembly, Betr.-No. 18 402 | 111236 | 70 |
| 17 | Führerhaus komplett, Betr.-Nr. 18 402 Driver cab assembly, Betr.-No. 18 402 | 111237 | 35 |
| 18 | Teilesatz Parts set | 111238 | 18 |
| 19 | Umlaufblechsatz Gangway set assembly | 111240 | 15 |
| 20 | Teilesatz Parts set | 111241 | 12 |
| 21 | Teilesatz Parts set | 111242 | 7 |
| 22 | Kesselleitung links Boiler rail left | 111245 | 6 |
| 23 | Griffstangensatz Handrail set | 111247 | 12 |
| 24 | Leitungssatz Rail set | 111248 | 7 |
| 25 | Sanddomstange Sand valv | 111293 | 4 |
| 26 | Pumpenhebel lang Pump lever long | 111533 | 2 |

| Pos. Nr. | Text | Art.-Nr. | Preis-Gruppe |
|----------|----------------------------------|----------|--------------|
| 1 | Schraube M2 x 18 | 85679 | 3 |
| 2 | FK-Schraube | 85704 | 3 |
| 3 | Schraube 2 x 5 | 85715 | 2 |
| 4 | Schraube M1,6 x 4 | 85727 | 2 |
| 5 | Screw M1,6 x 4 | 85817 | 2 |
| 6 | Schraube M2 x 4 | 85817 | 2 |
| 6 | Kupplungsfeder f. Vorlaufgestell | 86201 | 2 |
| 7 | Couplingspring | 86208 | 2 |
| 7 | Zugfeder | 86208 | 2 |
| 8 | Spring | 86208 | 2 |
| 8 | Schneckenzahnrad | 86419 | 4 |
| 9 | Worm Gear | 86419 | 4 |
| 9 | Zahnrad | 86480 | 2 |
| 10 | Gear | 86480 | 2 |
| 10 | Schnecke | 86704 | 5 |
| 11 | Worm | 86704 | 5 |
| 11 | Puffer flach | 88556 | 4 |
| 12 | Buffer flat | 88556 | 4 |
| 12 | Puffer gewölbt | 88557 | 4 |
| 13 | Buffer vaulted | 88557 | 4 |
| 13 | Drahtlampe 16V | 106755 | 10 |
| 14 | Light bulb 16V | 106755 | 10 |
| 14 | Kardanhülse | 109248 | 4 |
| 15 | Cardan bearing | 109248 | 4 |
| 15 | Zahnrad z=16 | 109251 | 2 |
| 16 | Gear t=16 | 109251 | 2 |
| 16 | Schneckensatz | 110656 | 24 |
| 17 | Worm set | 110656 | 24 |
| 17 | Tachowelle Nirosa | 110663 | 3 |
| 18 | Speedometer shaft Nirosa | 110663 | 3 |
| 18 | Kardanwelle | 110665 | 4 |
| 20 | Cardan shaft | 110665 | 4 |
| 20 | Platine | 110875 | 49 |
| 21 | Printed circuit | 110875 | 49 |
| 21 | Nachlaufgestellfeder | 110893 | 3 |
| 22 | Teil bogie spring | 110893 | 3 |
| 22 | Steuerung komplett | 111213 | 73 |
| 23 | Steering assembly | 111213 | 73 |
| 23 | Kuppelstange bedruckt | 111214 | 9 |
| 24 | Connecting rod printed | 111214 | 9 |
| 24 | Kuppelstange bedruckt | 111215 | 9 |
| 25 | Connecting rod printed | 111215 | 9 |
| 25 | Kuppelstange bedruckt | 111216 | 9 |
| 26 | Connecting rod printed | 111216 | 9 |
| 26 | Kuppelstange bedruckt | 111217 | 9 |
| 27 | Connecting rod printed | 111217 | 9 |
| 27 | Bolzen | 111218 | 2 |
| 28 | Pin | 111218 | 2 |
| 28 | Scheibe | 111220 | 2 |
| 29 | Washer | 111220 | 2 |
| 29 | Teilesatz | 111224 | 15 |
| 30 | Parts set | 111224 | 15 |
| 30 | Kesselstütze-Satz | 111233 | 7 |
| 31 | Boiler holder set | 111233 | 7 |
| 31 | Nachlaufgestell ohne Radsatz | 111246 | 10 |
| 32 | Teil bogie without wheelset | 111246 | 10 |
| 32 | Lokgrundrahmen | 111249 | 30 |
| 33 | Frame | 111249 | 30 |
| 33 | Lokboden | 111250 | 20 |
| 34 | Loco underbottom | 111250 | 20 |
| 34 | Getriebedeckel | 111251 | 20 |
| 35 | Gear cover | 111251 | 20 |
| 35 | Zylinderblock | 111252 | 20 |
| 36 | Cylinderblock | 111252 | 20 |
| 36 | Kolbenschutzrohr | 111253 | 2 |
| 37 | Cylinder protection tube | 111253 | 2 |
| 37 | Vorlaufgestell o. Radsatz | 111254 | 16 |
| 38 | Pilot frame without wheelset | 111254 | 16 |
| 38 | Vorlaufradsatz | 111255 | 14 |
| 39 | Pilot wheelset | 111255 | 14 |
| 39 | Nachlaufradsatz | 111256 | 14 |
| 40 | Teil wheelset | 111256 | 14 |
| 40 | Radsatz 1 | 111257 | 20 |
| 41 | Wheelset 1 | 111257 | 20 |
| 41 | Radsatz 2 | 111258 | 20 |
| 42 | Wheelset 2 | 111258 | 20 |
| 42 | Radsatz 3 | 111259 | 20 |
| 43 | Wheelset 3 | 111259 | 20 |
| 43 | Loklaterne Ep. 2 | 111260 | 2 |
| 44 | Latern | 10738 | - |
| 44 | Motoroladecoder | 10738 | - |
| 45 | Locdecoder motorola | 40065 | - |
| 45 | Wechselstromschleifer | 40065 | - |
| 46 | Collector | 40065 | - |
| 46 | Schraube M 1,6 x 6 | 85811 | 2 |
| 47 | Screw M 1,6 x 6 | 85811 | 2 |
| 47 | Kabelbaum komplett | 108044 | 26 |
| 48 | Cable connector | 108044 | 26 |
| 48 | Schleiferkontakt | 109302 | 4 |
| 49 | Collector contact | 109302 | 4 |
| 49 | Lokplatine kpl. | 110703 | 49 |
| 50 | Loc printed circuit assembly | 110703 | 49 |
| 50 | Kontaktstift | 110708 | 3 |
| 51 | Contact pin | 110708 | 3 |
| 51 | Bremsgestänge | 111263 | 8 |
| 52 | Brake linkage | 111263 | 8 |
| 52 | Vorlaufgestell o. Radsatz | 111264 | 16 |
| 53 | Pilot frame without wheelset | 111264 | 16 |
| 53 | Vorlaufradsatz | 111265 | 14 |
| 54 | Pilot wheelset | 111265 | 14 |
| 54 | Nachlaufradsatz | 111266 | 14 |
| 54 | Teil wheelset | 111266 | 14 |

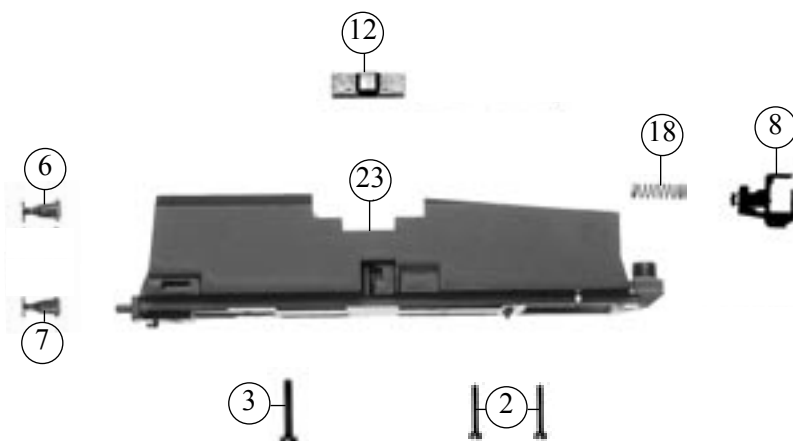
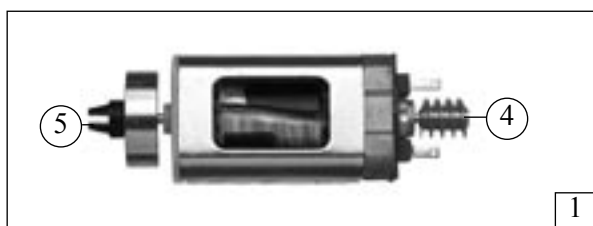
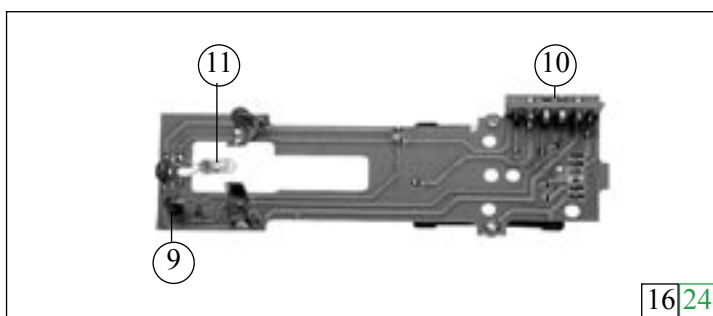




14 o. Abb. / no ill.
Türfeder
Door spring

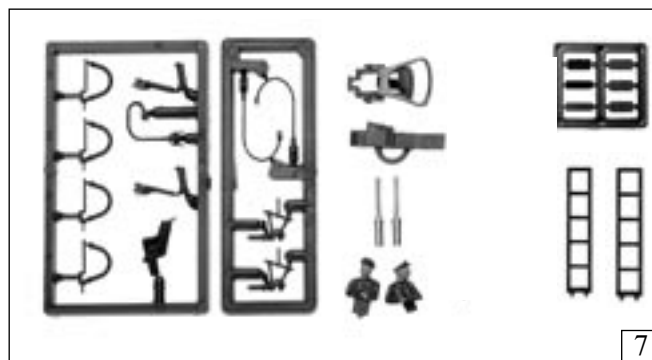
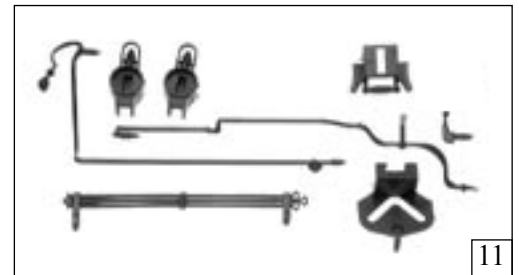
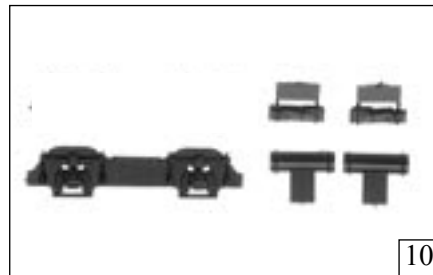
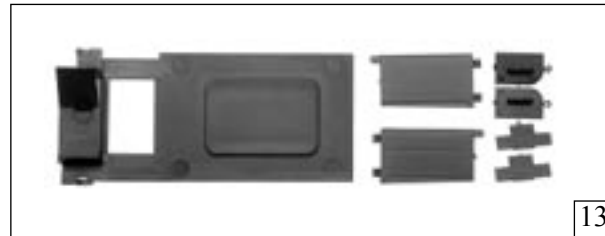
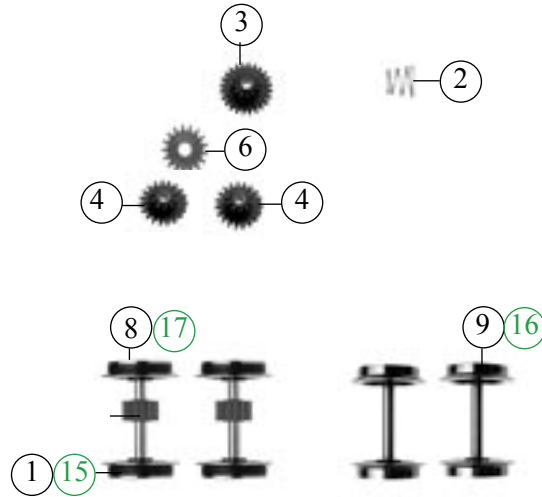


21 o. Abb. / no ill.
Platinenniederhalter
Circuit board



| Pos. Nr. | Text | Art.-Nr. | Preis-Gruppe |
|----------|---|----------|--------------|
| 1 | Motor Motor | 85132 | 57 |
| 2 | Schraube M 1,6 x 8 Screw M 1,6 x 8 | 85695 | 2 |
| 3 | Schraube M 1,6 x 10 Screw M 1,6 x 10 | 85699 | 2 |
| 4 | Schnecke Worm | 86704 | 5 |
| 5 | Kardanschale kurz Cardan bearing | 87129 | 3 |
| 6 | Puffer flach Buffer flat | 88556 | 4 |
| 7 | Puffer gewölbt Buffer vaulted | 88557 | 4 |
| 8 | Universalkupplung Universal coupling | 89283 | 5 |
| 9 | Diode Diode | 89898 | 8 |
| 10 | Brückenstecker Connector | 100644 | 7 |
| 11 | Drahtlampe 16V Light bulb 16V | 106755 | 10 |
| 12 | Motorspannblock Engine block | 110633 | 2 |
| 13 | Teilesatz Parts set | 110639 | 12 |
| 14 | Türfeder, o. Abb. Door spring, no ill | 110640 | 3 |
| 15 | Drahtstift Wire pin | 110641 | 3 |
| 16 | Platine, Tender Printed Circuit, Tender | 110669 | 51 |
| 17 | Tenderlichtleitersatz Light transmission set | 110672 | 7 |
| 18 | Druckfeder Spring | 110690 | 2 |
| 19 | Kohleneinsatz Coal insert | 110691 | 6 |
| 20 | Tendergehäuse komplett Betr.-Nr. 18 402 Tender body assembly , Betr.- Nr. 18 402 | 111226 | 40 |
| 21 | Platinenniederhalter, o. Abb. Circuit board, no ill | 111227 | 3 |
| 22 | Tenderlampen-Linsensatz Light transmission-Lens set | 111261 | 8 |
| 23 | Tendergrundrahmen Tender frame | | 30 |
| 24 | Tenderplatine Tender printed circuit | 110705 | 51 |

| Pos. / Nr. | Text | Art.-Nr. | Preis-Gruppe |
|------------|--|----------|--------------|
| 1 | Hafringesatz Traction Tyres | 85622 | 19 |
| 2 | Feder Spring | 86234 | 2 |
| 3 | Schneckenzahnrad doppelt Worm Gear | 86419 | 4 |
| 4 | Zwischenzahnrad Gear | 86480 | 2 |
| 5 | Atrappenrahmen klein Push in part set, smal | 107808 | 3 |
| 6 | Zahnrad 16 Z Gear | 109251 | 2 |
| 7 | Zurüstbeutel Bag with accessories | 111225 | 24 |
| 8 | Radsatz m. Zahnrad Wheelset with gear | 111228 | 20 |
| 9 | Radsatz ohne Zahnrad Wheelset without gear | 111229 | 14 |
| 10 | Teilesatz Parts set | 111230 | 20 |
| 11 | Teilesatz Parts set | 111231 | 20 |
| 12 | Getriebesatz Gear set | 111232 | 28 |
| 13 | Teilesatz Parts set | 111244 | 15 |
| 14 | Tafelsatz Number set | 111531 | 24 |
| 15 | Hafringesatz Traction Tyres | 85623 | 16 |
| 16 | Tenderradsatz Tender wheelset | 108304 | 18 |
| 17 | Radsatz mit Zahnrad Wheelset with gear | 111262 | 20 |



14 o. Abb. / no ill.
Tafelsatz
Number set

